

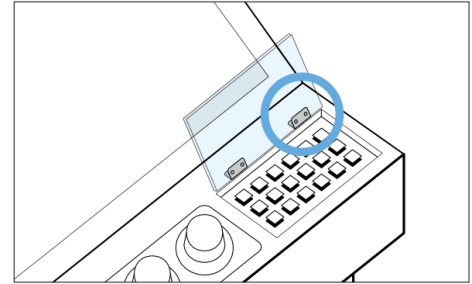
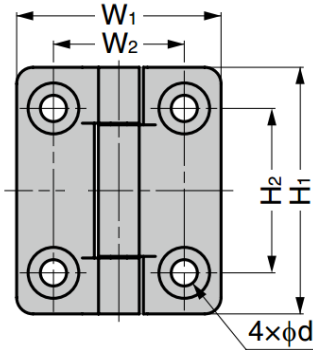
GHG-MF Mini Torque Hinge

Features

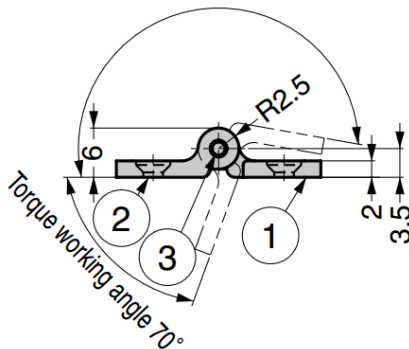
- Small plastic torque hinge
- Holds lid / door in desired position
- Suitable for lightweight doors or panels
- Passed 20,000 life cycle test

Notes

- Ensure both hinge shafts are levelled and aligned during installation

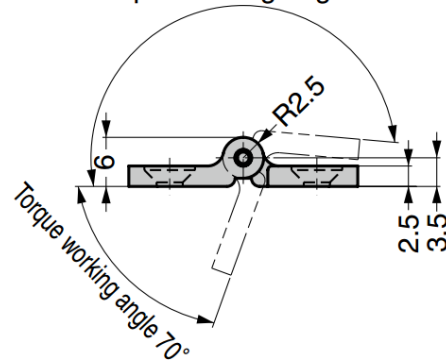


Torque working angle 190°



GHG-MF08, GHG-MF15

Torque working angle 185°



GHG-MF25

No.	Part Name	Material	Colour
①	Body A	POM	Black, White
②	Body B		
③	Shaft	Stainless Steel (SUS304)	—

Part No.	Colour	W ₁	W ₂	H ₁	H ₂	t	d	Torque (per piece)			
GHG-MF08-BL	Black	25	16	20	10	2	ø2.4, ø4.2	0.0784 ±25% N.m	0.8 ±25% kgf.cm		
GHG-MF08-WT	White			30	20					ø3.2, ø6.2	0.147 ±33% N.m
GHG-MF15-BL	Black			28	18		40	25	2.5		
GHG-MF15-WT	White										
GHG-MF25-BL	Black										
GHG-MF25-WT	White										